



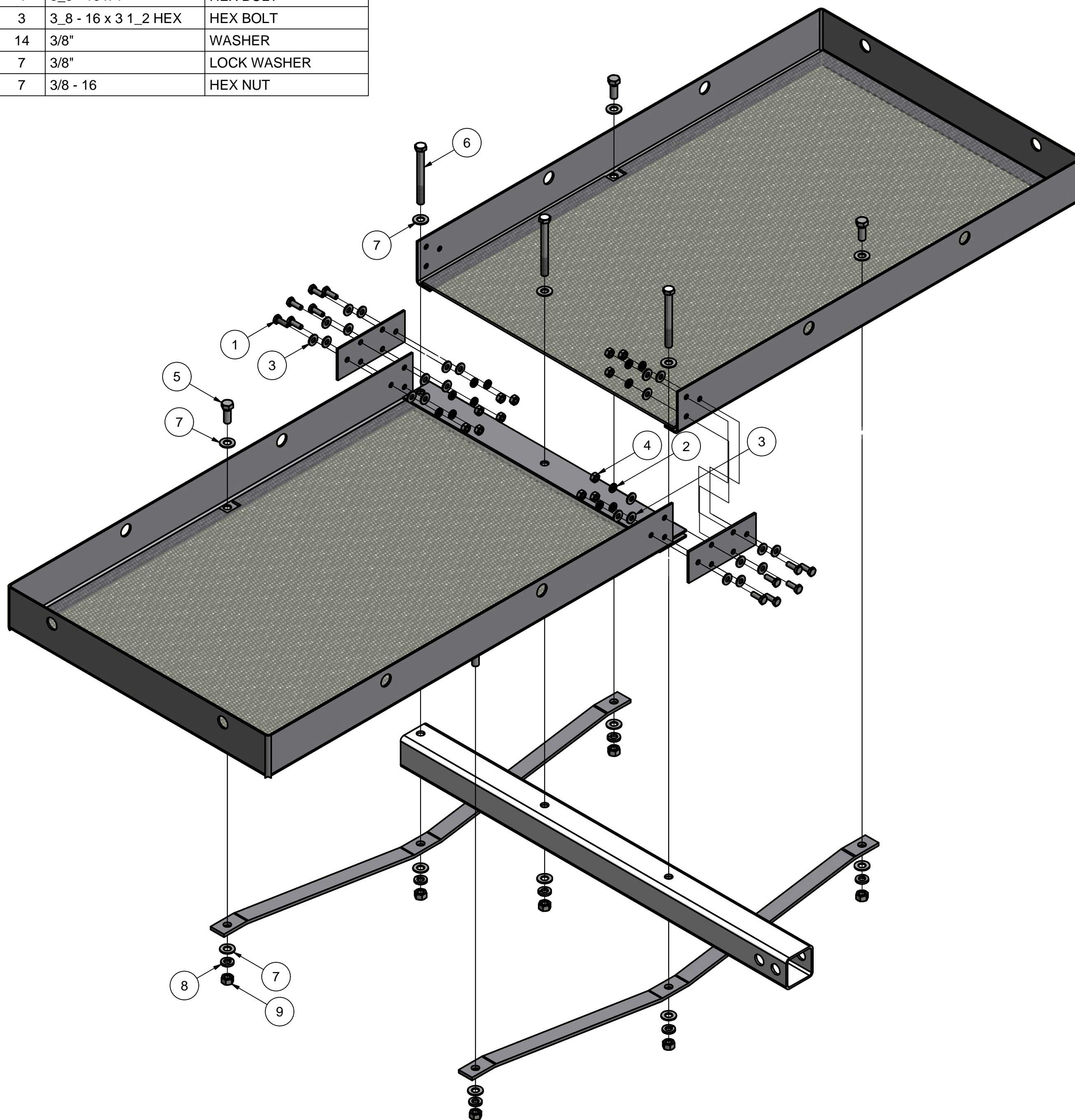
WARNING: * DO NOT EXCEED VEHICLE MANUFACTURER'S RECOMMENDED TOWING CAPACITY *****
HAVING INSTALLATION QUESTIONS? CALL TECHNICAL SUPPORT AT 1-800-798-0813



MAXIMUM GROSS LOAD CAPACITY: 500 LBS.

Parts List			
ITEM	QTY	PART NUMBER	DESCRIPTION
1	12	1_4 - 20 x 3_4 HEX	HEX BOLT
2	12	1_4 LOCK WASHER	1/4" LOCK WASHER
3	24	1/4"	WASHER
4	12	1_4 - 20	HEX NUT
5	4	3_8 - 16 x 1	HEX BOLT
6	3	3_8 - 16 x 3 1_2 HEX	HEX BOLT
7	14	3/8"	WASHER
8	7	3/8"	LOCK WASHER
9	7	3/8 - 16	HEX NUT

NOTE:
LOOSELY INSTALL ALL FASTENERS THEN
TORQUE ALL 3/8" FASTENERS TO 30 LB-FT
AND ALL 1/4" FASTENERS TO 8 LB-FT.



**PERIODICALLY CHECK THIS THAT ALL FASTENERS ARE TIGHT
AND THAT ALL STRUCTURAL COMPONENTS ARE SOUND.**

CURT Manufacturing LLC., warrants this product to be free of defects in material and/or workmanship at the time of retail purchase by the original purchaser. If the product is found to be defective, CURT Manufacturing LLC., may repair or replace the product, at their option, when the product is returned, prepaid, with proof of purchase. Alteration to, misuse of, or improper installation of this product voids the warranty. CURT Manufacturing LLC.'s liability is limited to repair or replacement of products found to be defective, and specifically excludes liability for incidental or consequential loss or damage. This product complies with safety specifications and requirements for connecting devices and towing systems of the state of New York, V.E.S.C.Regulation V-5 and SAE J684.