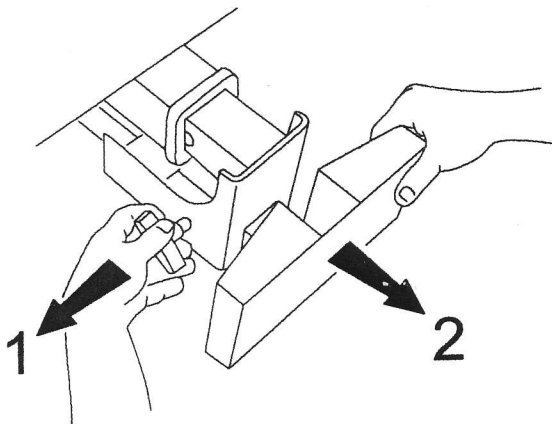
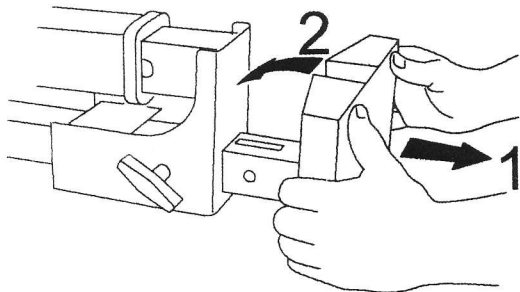


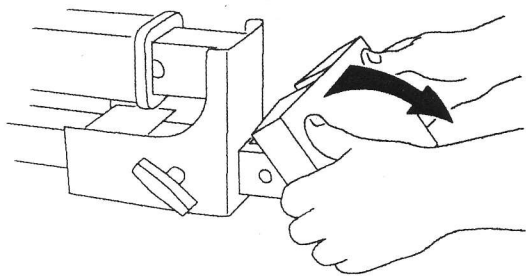
To Use the TruckStep™



1. Pull out handle
2. Slide step plate away from vehicle.



1. Pull slightly from bottom to release step plate.
2. Roll step towards vehicle



1. To store roll plate to vertical position, slide towards vehicle and lock.

